

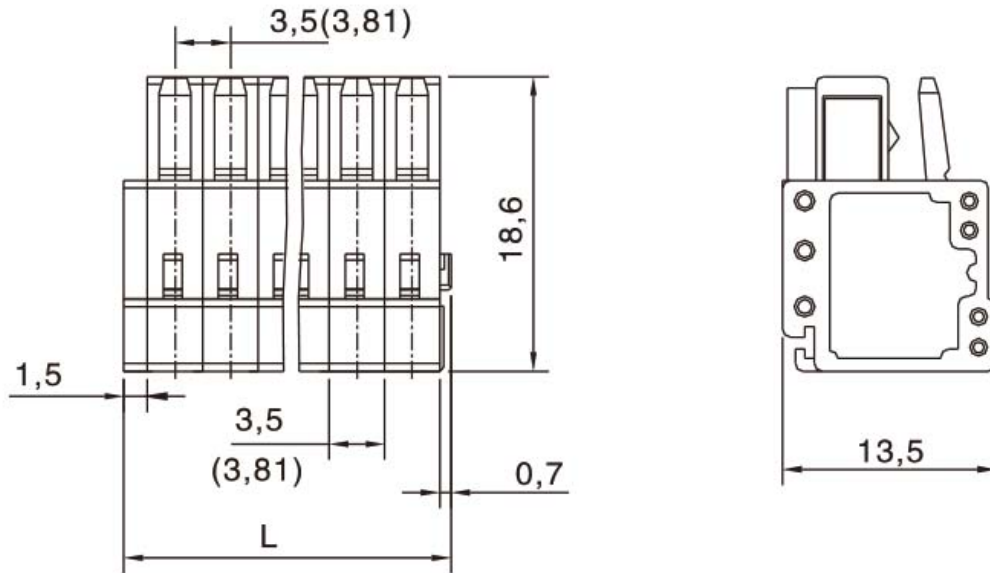


- 产品类型：多用途弹簧端子,
- 接线方式：弹片连接,
- 间距：3.81mm,
- 电压：300V,
- 电流：10A,
- 位数：2-24P

基本参数

| | |
|---|--|
| 间距(Pitch): | 3.81mm |
| 电压(Rated voltage)-UL: | 300V |
| 电流(Rated current)-UL: | 10A |
| 电压(Rated voltage)-IEC: | 160V |
| 电流(Rated current)-IEC: | 10A |
| 线径(Wire range)-UL: | 28-16AWG |
| 线径(Wire range)-IEC: | 0.2-1.5mm ² |
| 位数(Pole number): | 02~24P |
| 绝缘材料(Insulation Material): | PA66 UL94 V-0 |
| 电流承载部件材料和镀层(Material & Plating of Current carrier): | Copper alloy, Tin plated |
| 绝缘电阻(Insulation Resistance): | 500MΩ or more at DC500V |
| 耐电压(1分钟)(Withstanding Voltage/1Min): | - |
| 额定冲击电压(Rated surge voltage): | - |
| 接线螺丝(Wire clamp unit Screw), 最大扭矩(torque Max.): | - |
| 固定螺丝(Mounting Screw), 扭矩(torque): | - |
| 接线弹片材料(Material of Clamp spring): | - |
| 剥线长度(Wire stripping length): | - |
| 使用温度(Operating temperature): | -40°C ~ +115°C |
| 焊接方式(Soldering recommend): | - |
| 认证(Approval): | UL [®]  CE |

尺寸图



订购产品

| 产品名称 | 间距 | 位数 | 产品型号 | 3D下载 | 2D下载 |
|---------|--------|--------|--------|------|------|
| 多用途弹簧端子 | 3.81mm | 02~24P | 4381XX | | |

资料下载

| | |
|------|--------------------------|
| 产品目录 | 接线端子选型手册 |
|------|--------------------------|