

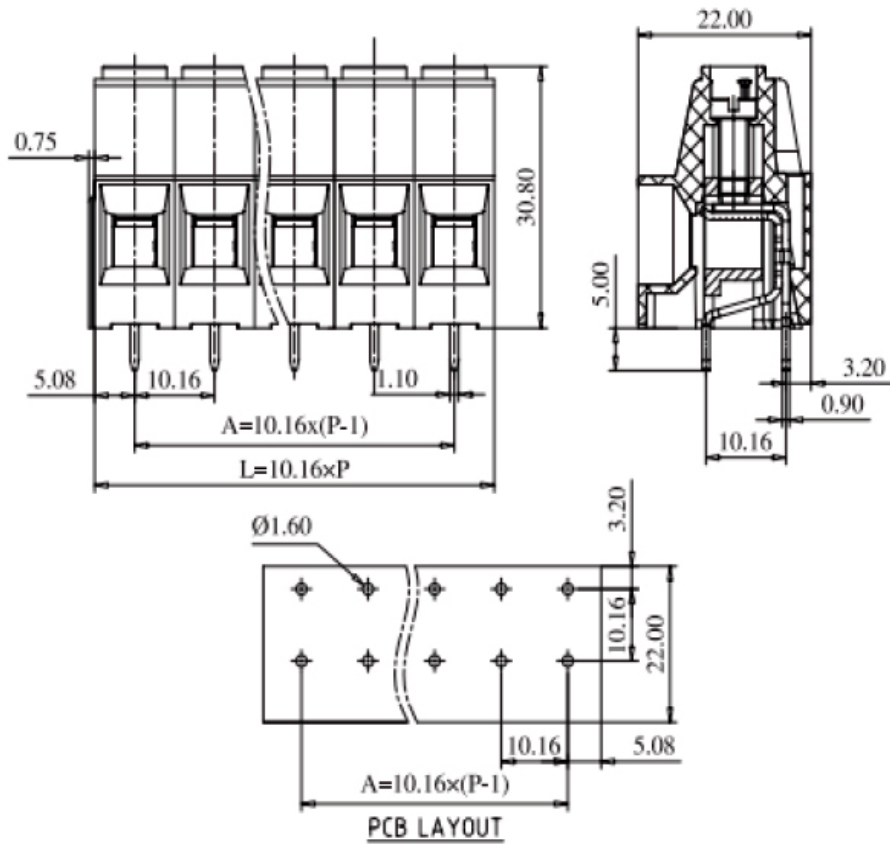


- 产品类型：PCB端子,
- 接线方式：弹簧连接,
- 间距：10.16mm,
- 电压：300V,
- 电流：65A,
- 位数：2-16P

基本参数

间距(Pitch):	10.16mm
电压(Rated voltage)-UL:	300V
电流(Rated current)-UL:	65A
电压(Rated voltage)-IEC:	630V
电流(Rated current)-IEC:	76A
线径(Wire range)-UL:	20-6AWG
线径(Wire range)-IEC:	0.5-16mm ²
位数(Pole number):	02~16P
绝缘材料(Insulation Material):	PA66 UL94 V-0
电流承载部件材料和镀层(Material & Plating of Current carrier):	Copper alloy, Tin plated
绝缘电阻(Insulation Resistance):	500MΩ or more at DC500V
耐电压(1分钟)(Withstanding Voltage/1Min):	4200V
额定冲击电压(Rated surge voltage):	-
接线螺丝(Wire clamp unit Screw), 最大扭矩(torque Max.):	M4, 1.5Nm Max(01P: 1.2Nm Max)
接线弹片材料(Material of Clamp spring):	-
剥线长度(Wire stripping length):	10.0mm
使用温度(Operating temperature):	-40°C ~ +105°C
焊接方式(Soldering recommend):	Wave soldering, 260°C 5S Max(Single Wave), 260°C 10S Max(Double Wave)
认证(Approval):	

尺寸图



订购产品

产品名称	间距	位数	产品型号	3D下载	2D下载
固定式端子	10.16mm	02~16P	SA1016-02H		

资料下载

产品目录	接线端子选型手册
------	--------------------------