

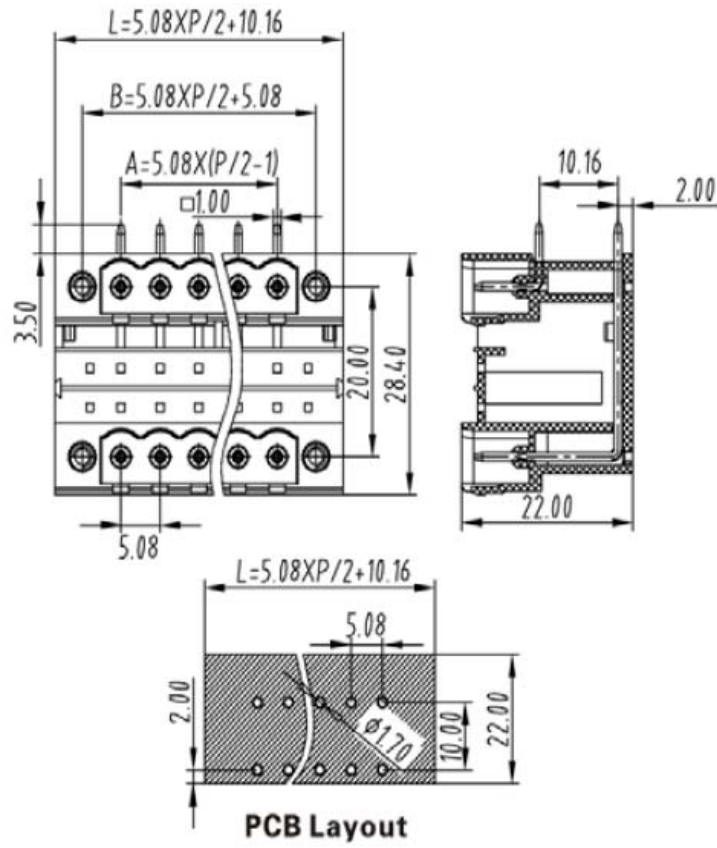


- 产品类型：插拔式端子,
- 接线方式：弹簧连接,
- 间距：5.00mm(5.08mm),
- 电压：300V,
- 电流：16A,
- 位数：4-48P

基本参数

| | |
|---|---|
| 间距(Pitch): | 5.00mm(5.08mm) |
| 电压(Rated voltage)-UL: | 300V |
| 电流(Rated current)-UL: | 16A |
| 电压(Rated voltage)-IEC: | 320V |
| 电流(Rated current)-IEC: | 20A |
| 线径(Wire range)-UL: | - |
| 线径(Wire range)-IEC: | - |
| 位数(Pole number): | 04~48P |
| 绝缘材料(Insulation Material): | PA66 UL94 V-0 |
| 电流承载部件材料和镀层(Material & Plating of Current carrier): | Copper alloy, Tin plated |
| 绝缘电阻(Insulation Resistance): | 500MΩ or more at DC500V |
| 耐电压(1分钟)(Withstanding Voltage/1Min): | 2200V |
| 额定冲击电压(Rated surge voltage): | - |
| 接线螺丝(Wire clamp unit Screw), 最大扭矩(torque Max.): | - |
| 固定螺丝(Mounting Screw), 扭矩(torque): | M2.5, 0.25Nm Max |
| 接线弹片材料(Material of Clamp spring): | - |
| 剥线长度(Wire stripping length): | - |
| 使用温度(Operating temperature): | -40°C ~ +105°C |
| 焊接方式(Soldering recommend): | Wave soldering, 260°C 5S Max(Single Wave), 260°C 10S Max(Double Wave) |
| 认证(Approval): | UL(Applying)  |

尺寸图



订购产品

| 产品名称 | 间距 | 位数 | 产品型号 | 3D下载 | 2D下载 |
|-------|--------|--------|--------------|------|------|
| 插拔式端子 | 5.00mm | 04~48P | SPB500-DW00R | | |
| 插拔式端子 | 5.08mm | 04~48P | SPB508-DW00R | | |

资料下载

| | |
|------|--------------------------|
| 产品目录 | 接线端子选型手册 |
|------|--------------------------|